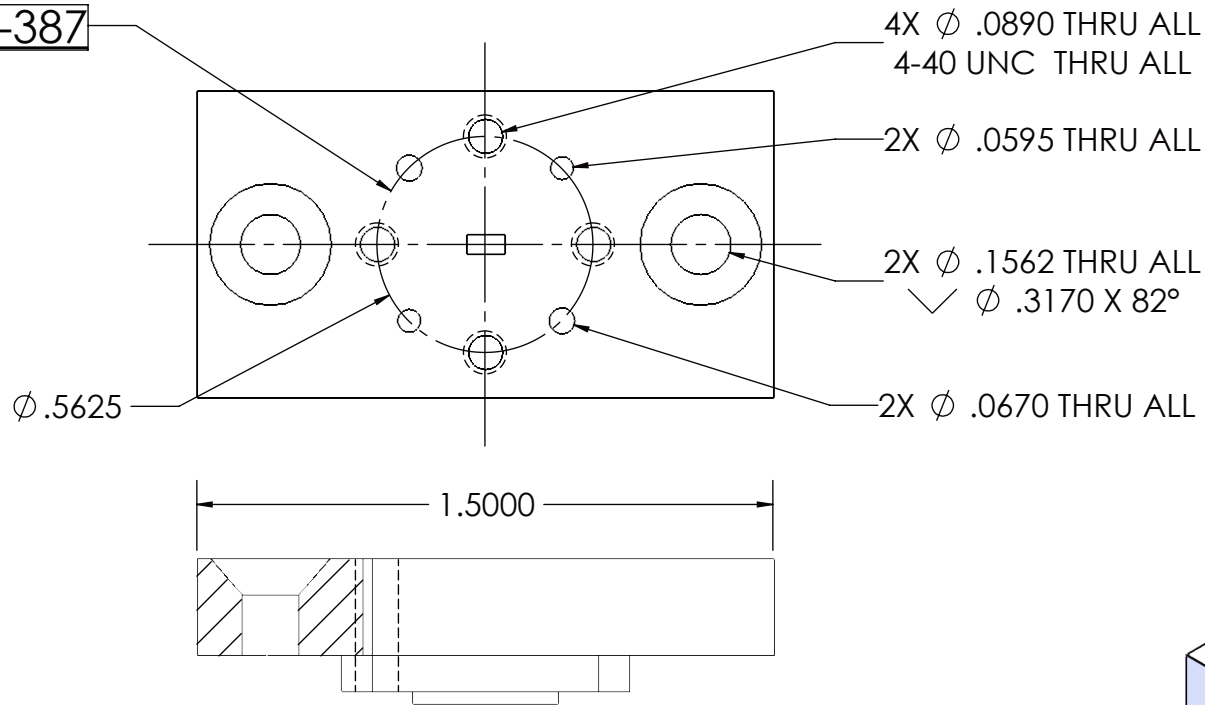
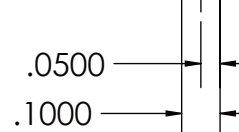
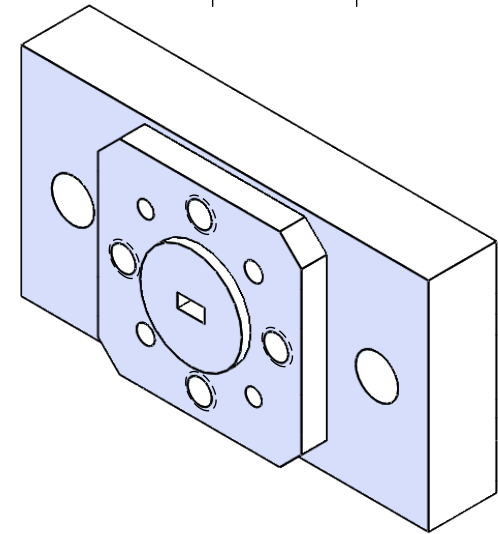
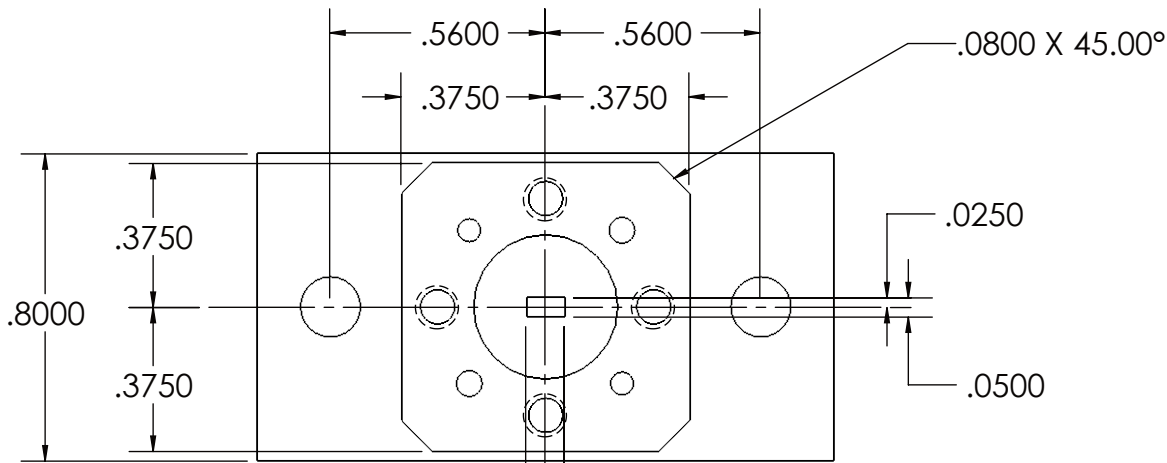
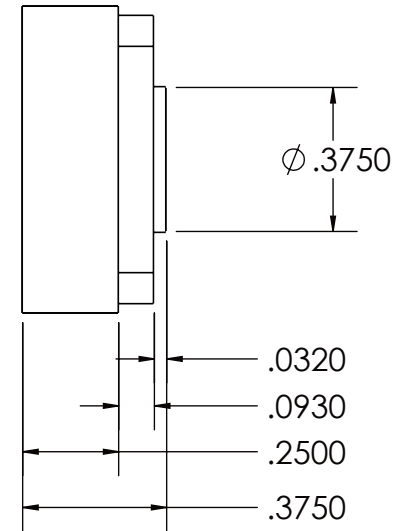


UG-387



REVISIONS			
REV	DESCRIPTION	DATE	APPROVED
--	--	--	--



DECIMALS: XXXX ±.0005
 XXX ±.005
 XX ±.01
 ANGLES: ± .5 DEGREE
 THIRD ANGLE PROJECTION

	NAME	DATE
DRAWN	YM	8/14/18
CHECKED	LS	8/14/18
ENG	LS	8/14/18

MATL:
 6061 T6 ALUMINUM

TITLE: Mi-Wave Millimeter Products Inc.		REV
SIZE: A	DWG. NO. 714_BULKHEAD FLANGE_387 WR-10_ADAPTER	-
SCALE: 2:1	WEIGHT:	SHEET 1 OF 1